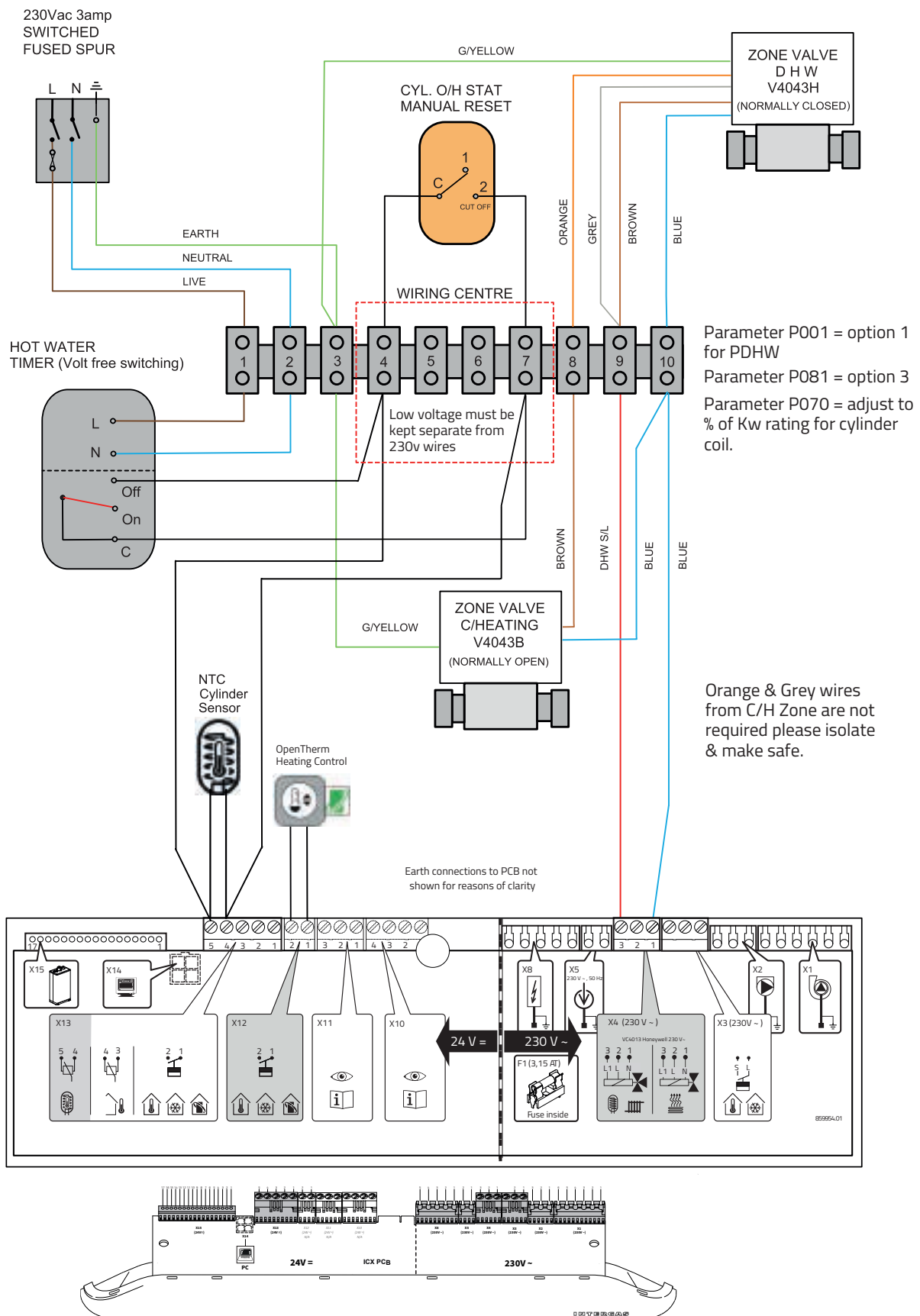


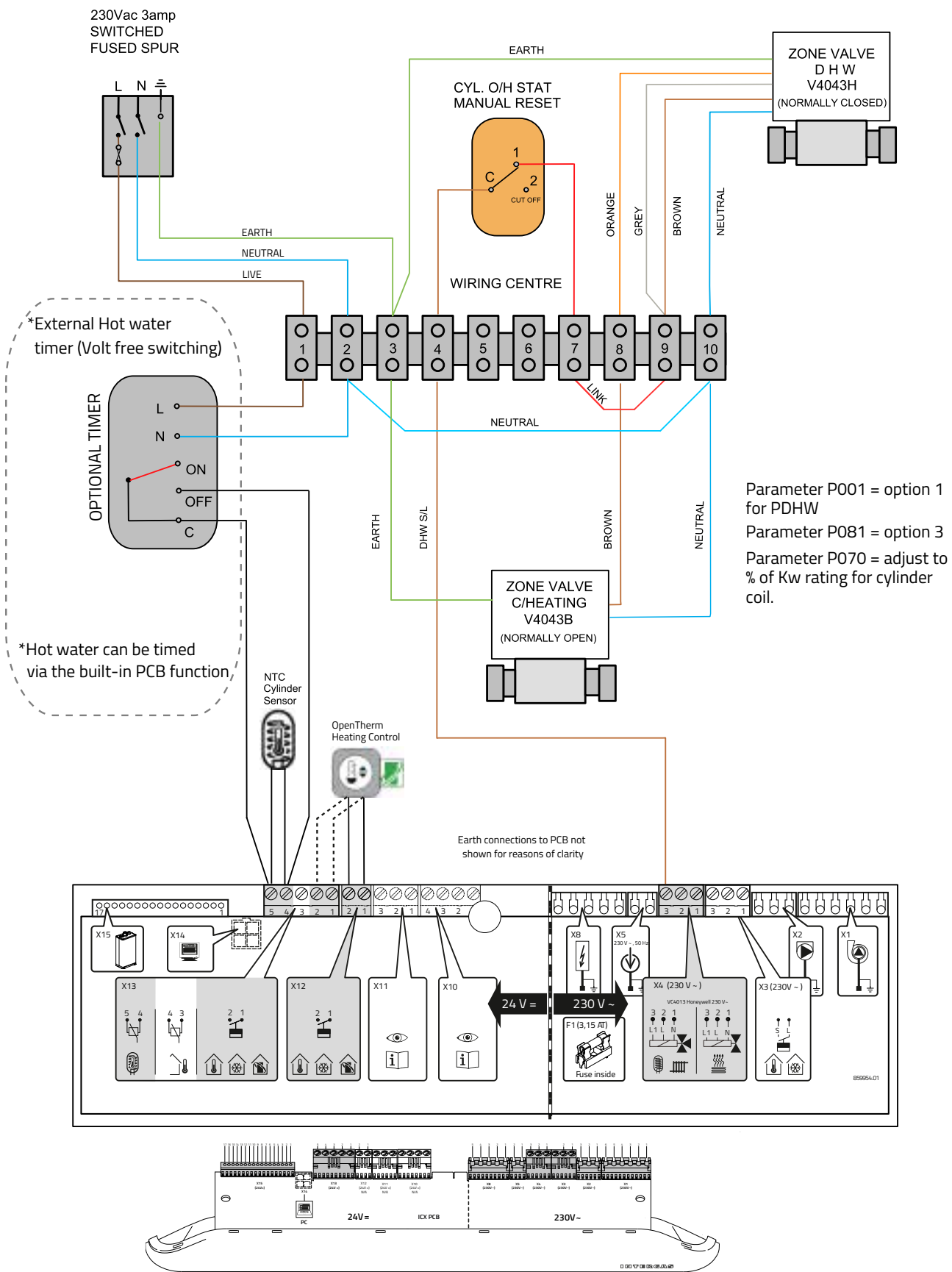
X-RANGE 'X' PLAN WIRING DIAGRAM CYLINDER OPTION

OPTION (Low voltage to O/H stat option)



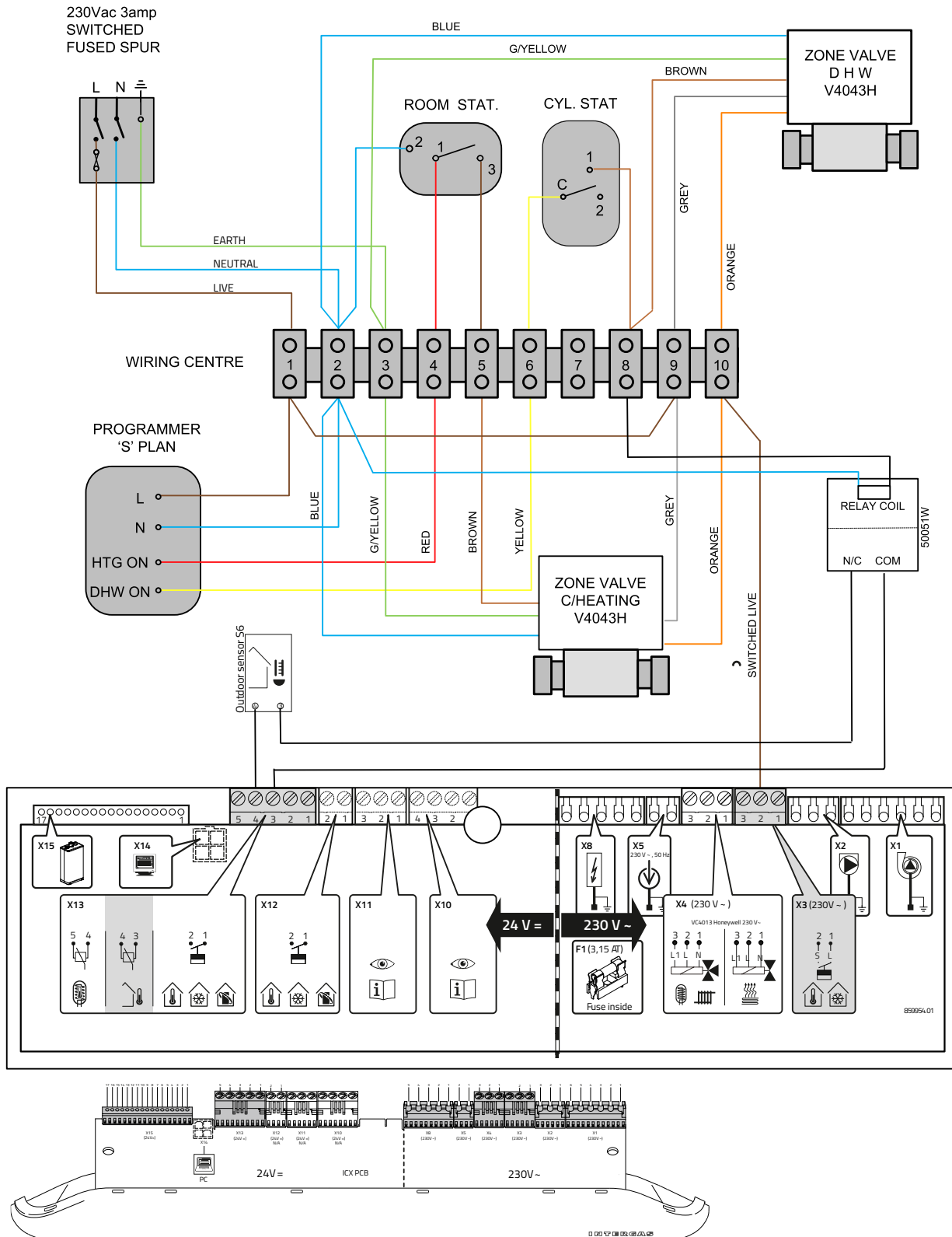
X-RANGE 'X' PLAN WIRING DIAGRAM

UNVENTED CYLINDER

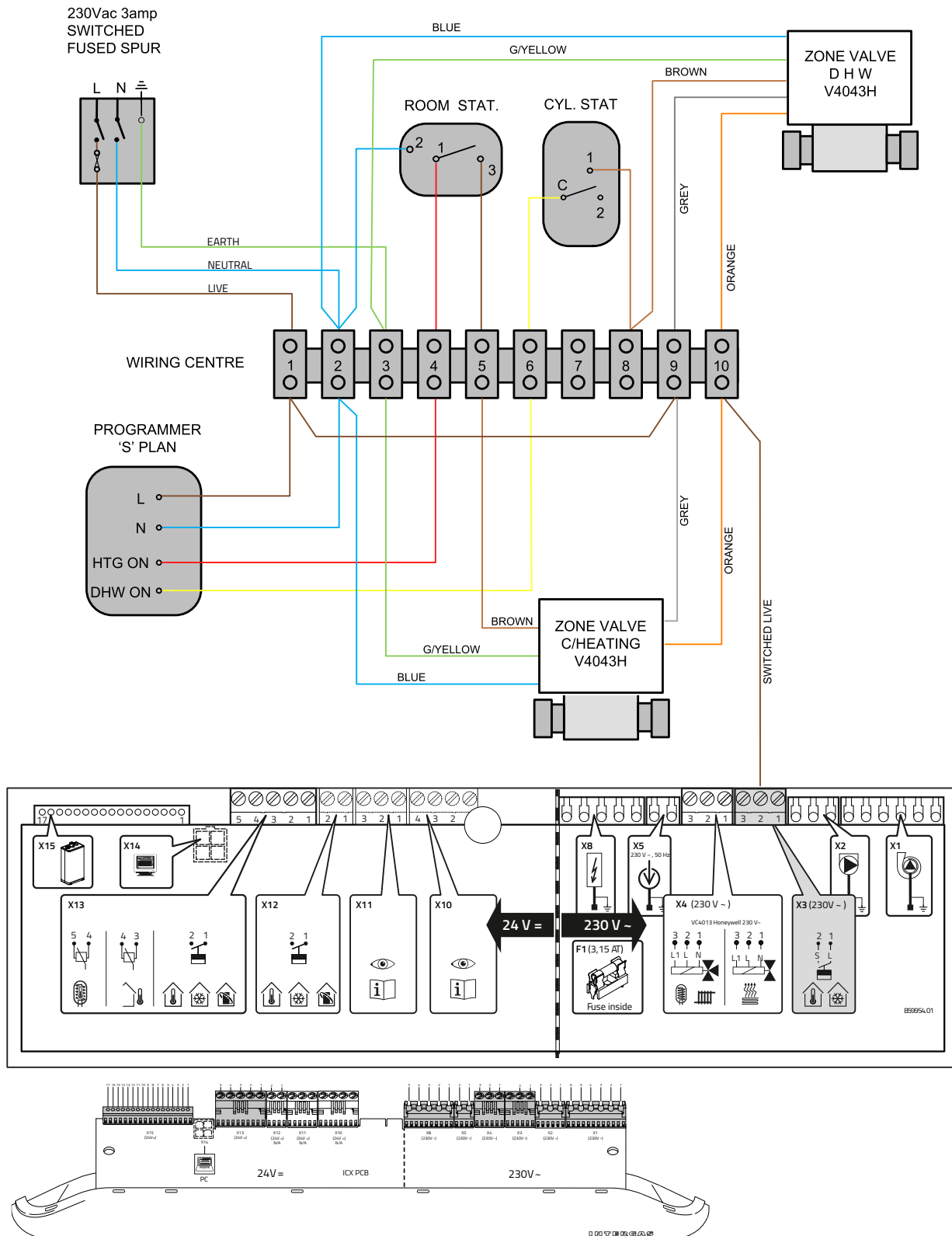


X-RANGE 'S' PLAN WIRING DIAGRAM

WITH OUTSIDE WEATHER COMPENSATION KIT

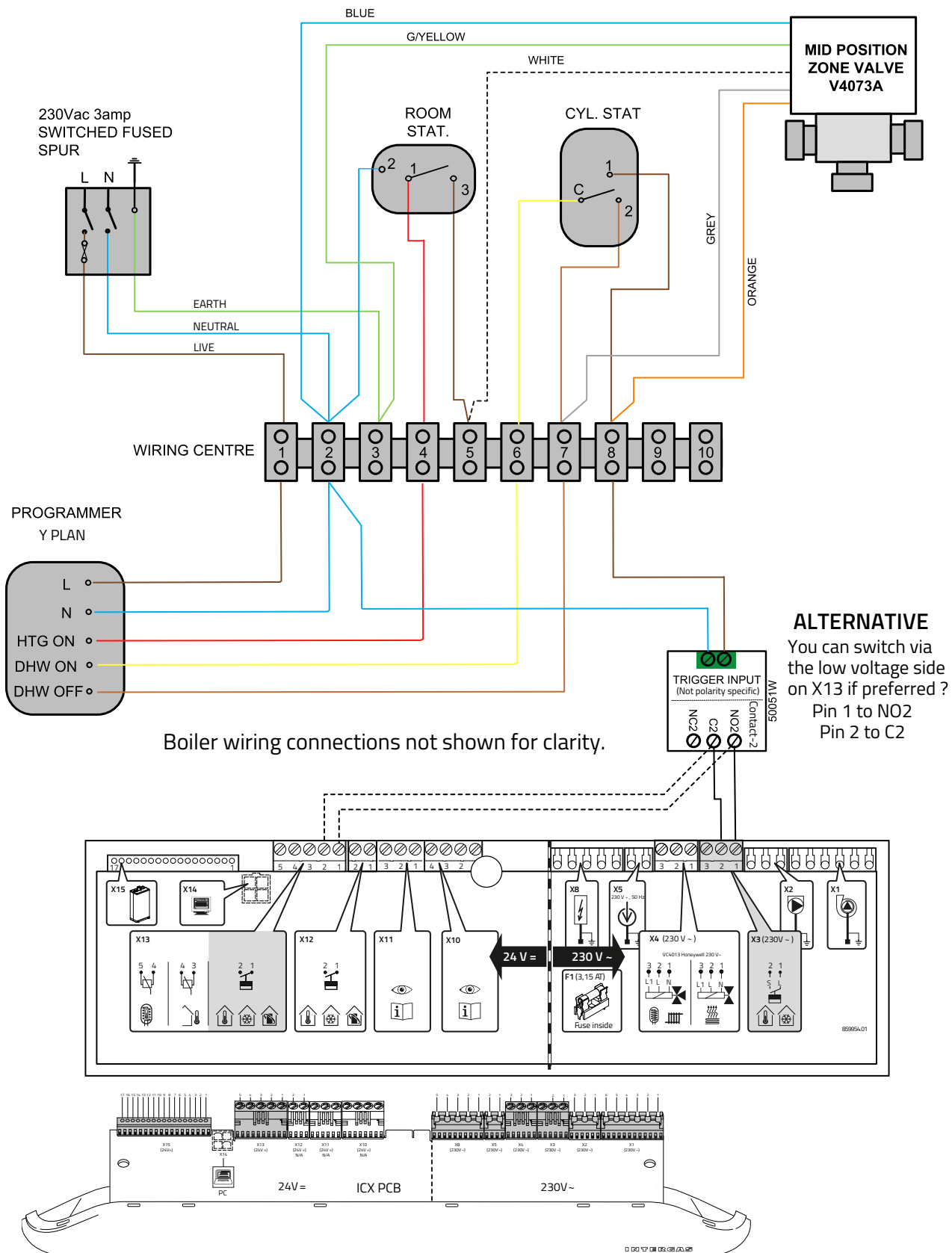


X-RANGE 'S' PLAN WIRING DIAGRAM

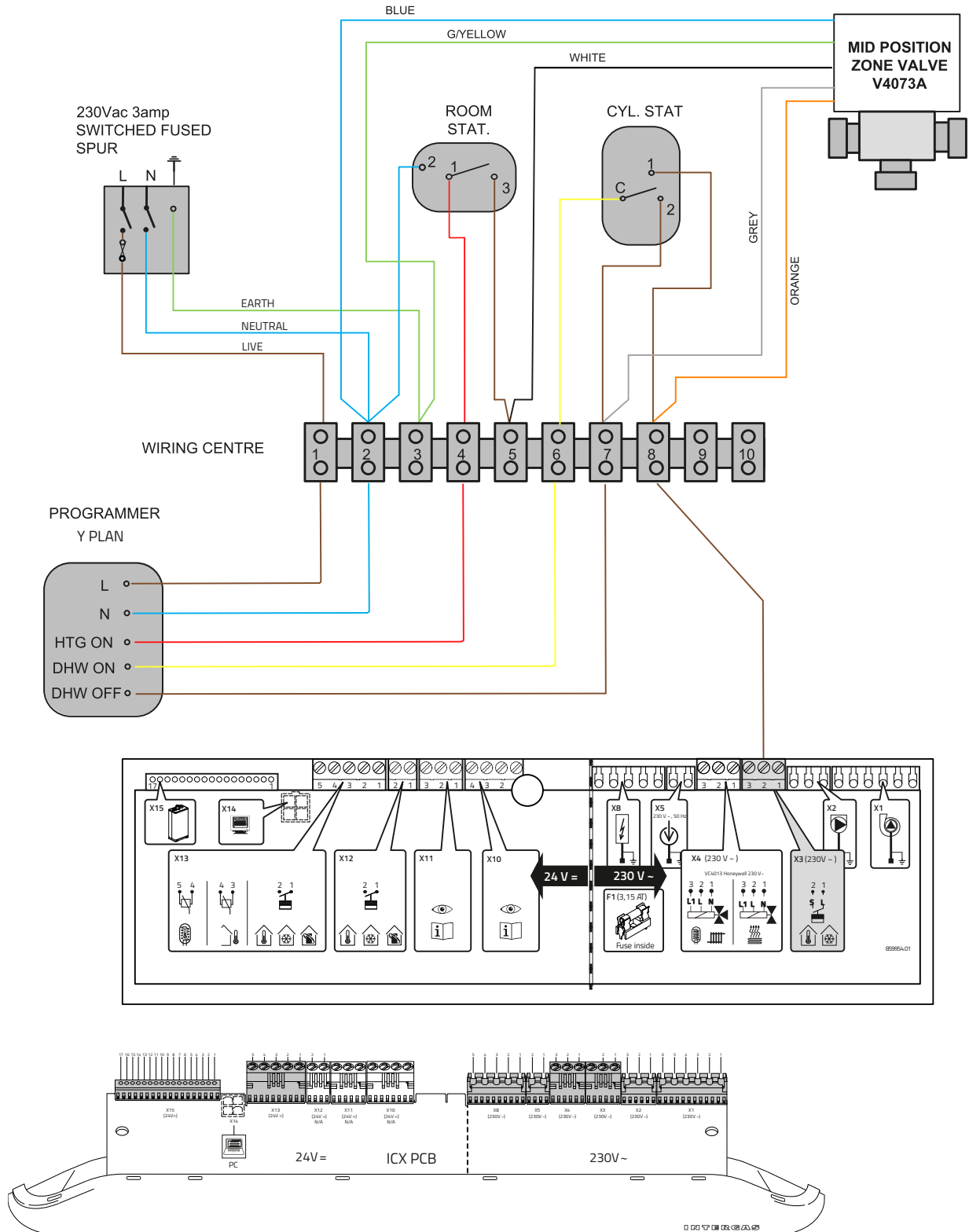


X-RANGE 'Y' PLAN WIRING DIAGRAM

USING THE EXTERNAL RELAY OPTION

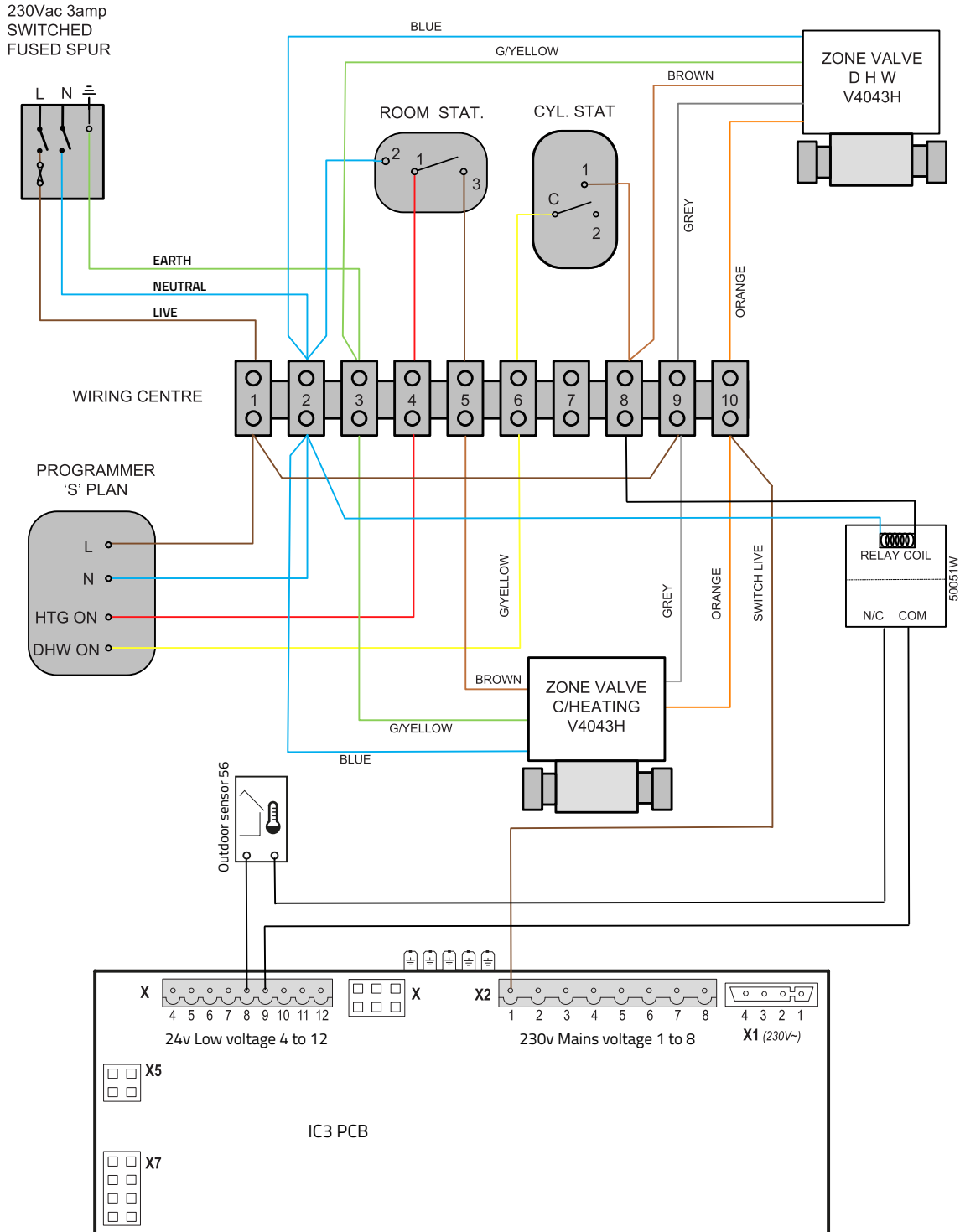


X-RANGE 'Y' PLAN WIRING DIAGRAM



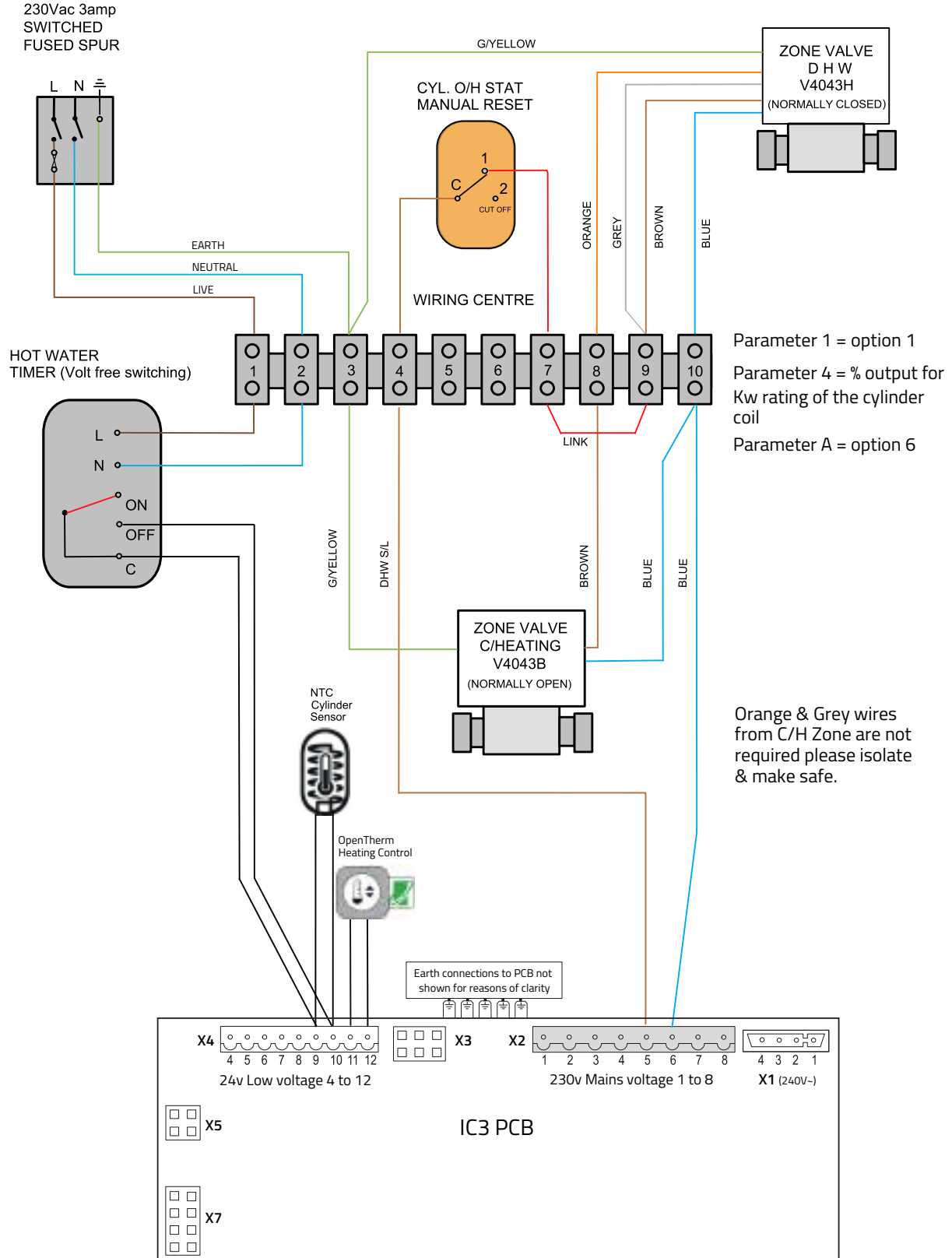
RAPID, HRE & EcoRF 'S' PLAN WIRING DIAGRAM

WITH OUTSIDE WEATHER COMPENSATION KIT



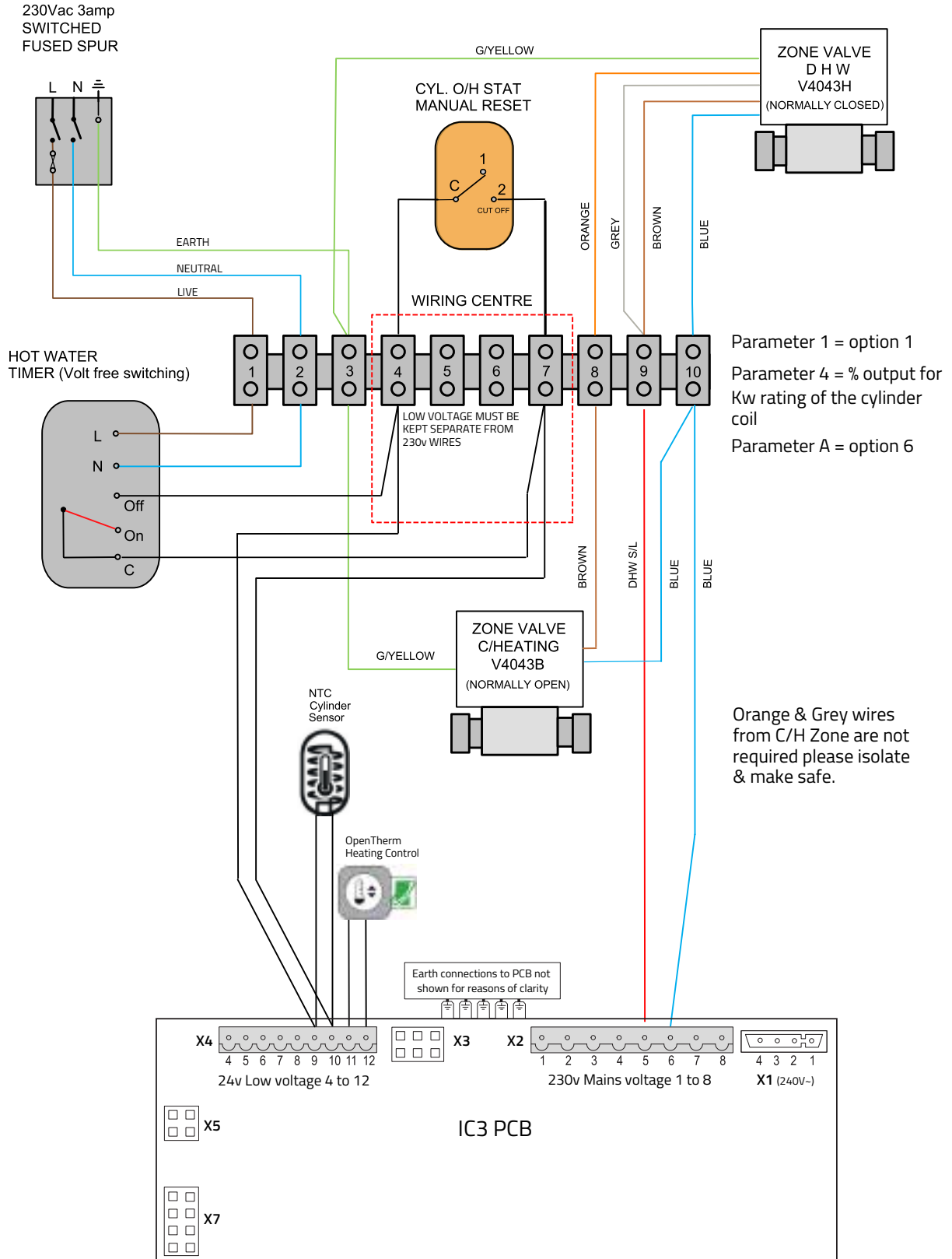
RAPID, HRE & EcoRF 'X' PLAN WIRING DIAGRAM

UNVENTED CYLINDER OPTION



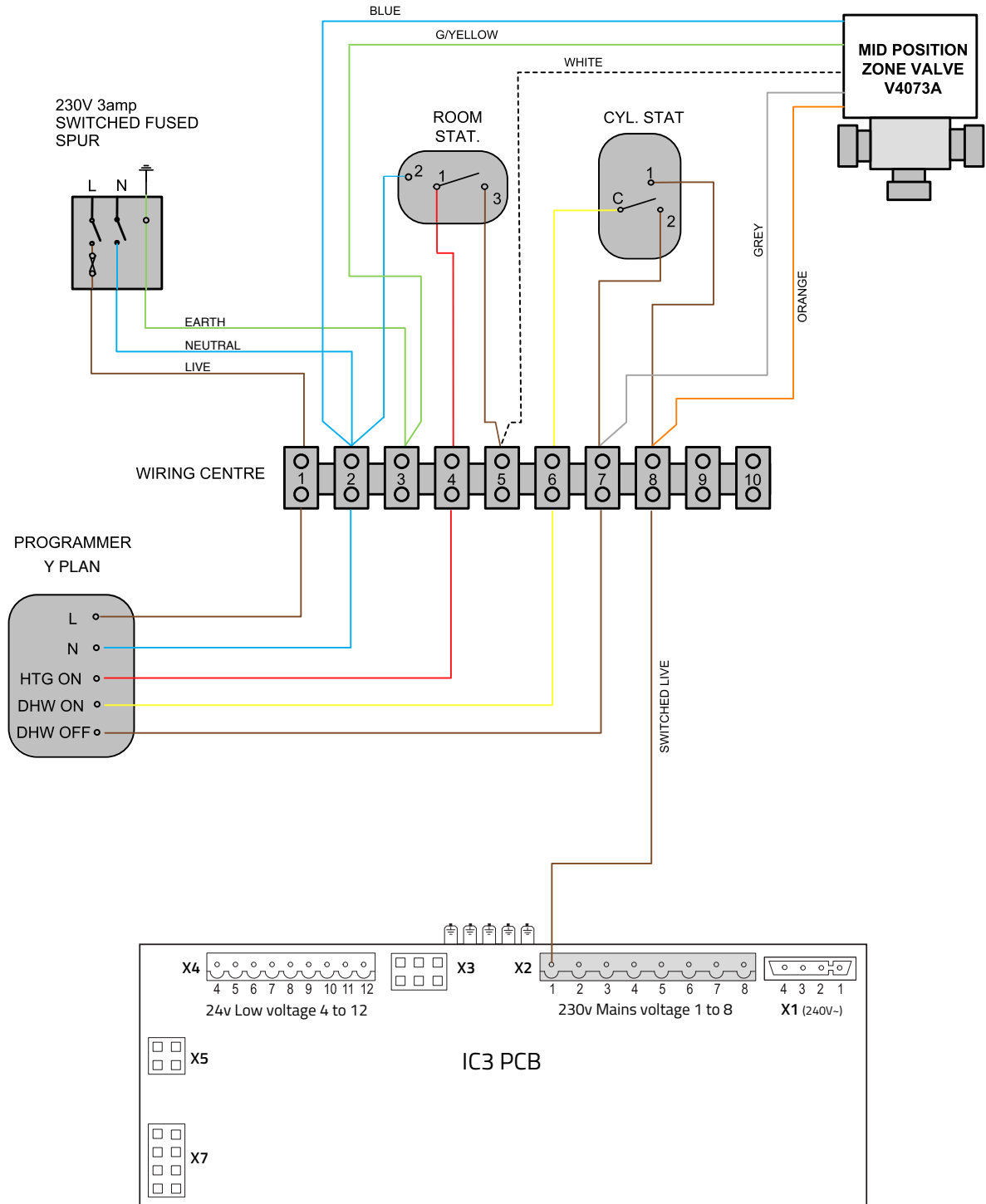
RAPID, HRE & EcoRF 'X' PLAN WIRING DIAGRAM

UNVENTED CYLINDER OPTION (Low voltage to O/H stat option)



RAPID, HRE & EcoRF 'Y' PLAN WIRING DIAGRAM

OPTION (Low voltage to O/H stat option)



RAPID, HRE & EcoRF 'S' PLAN WIRING DIAGRAM

