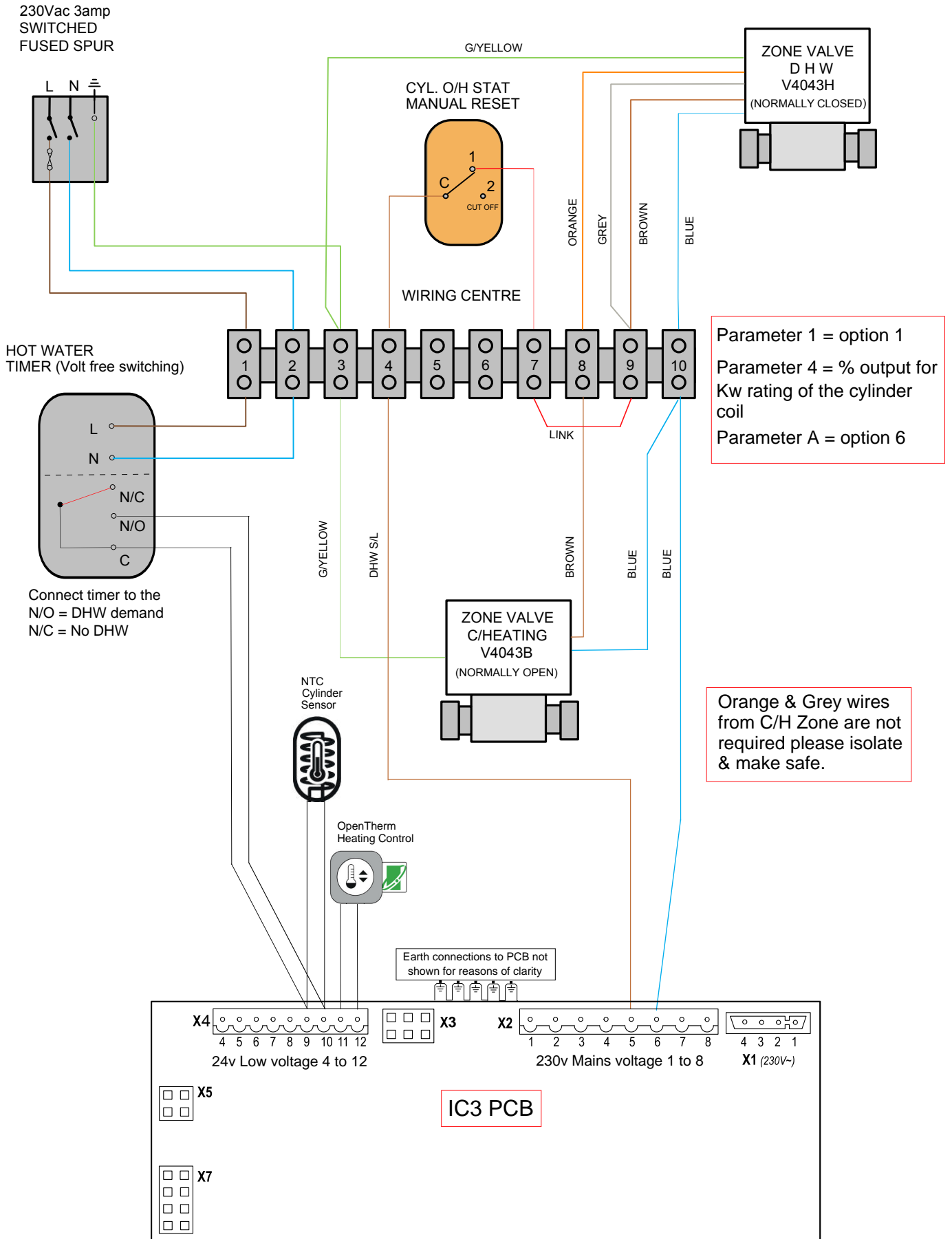


# RAPID, HRE & EcoRF 'X' PLAN WIRING DIAGRAM UNVENTED CYLINDER OPTION



Parameter 1 = option 1  
 Parameter 4 = % output for Kw rating of the cylinder coil  
 Parameter A = option 6

Orange & Grey wires from C/H Zone are not required please isolate & make safe.